

7536 (20-30-40)  
7537 (40S-50)  
7538 (60)  
7539 (90)  
7559 (130)

597 (30)  
58 (40-40S-50)  
59 (60)  
60 (90)  
2073 (130)

1778 (20)  
1779 (30)  
1780 (40)  
1781 (40S-50)  
1782 (60)  
1783 (90)  
2079 (130)

7510 (20)  
7511 (30)  
7512 (40)  
7513 (40S-50)  
7514 (60)  
7515 (90)  
7516 (130)

1946 (20-30-40)  
1961 (40S-50-60)  
1998 (90)  
1999 (130)

1676 (20)  
1678 (30)  
1680 (40)  
1682 (40S-50)  
1684 (60-90-130)

1701 (20-30-40)  
1707 (40S...130)

1755 (20)  
1756 (30)  
1757 (40)  
1758 (40S-50)  
1759 (60)  
1760 (90)  
2076 (130)

1761 (20-30-40)  
1762 (40S-50)  
1763 (60)  
1764 (90)  
2077 (130)

7578 (20-30-40)  
7579 (40S-50)  
7580 (60)  
7581 (90)  
7583 (130)

1700 (20-30-40)  
1706 (40S...130)

1675 (20)  
1677 (30)  
1679 (40)  
1681 (40S-50)  
1683 (60-90-130)

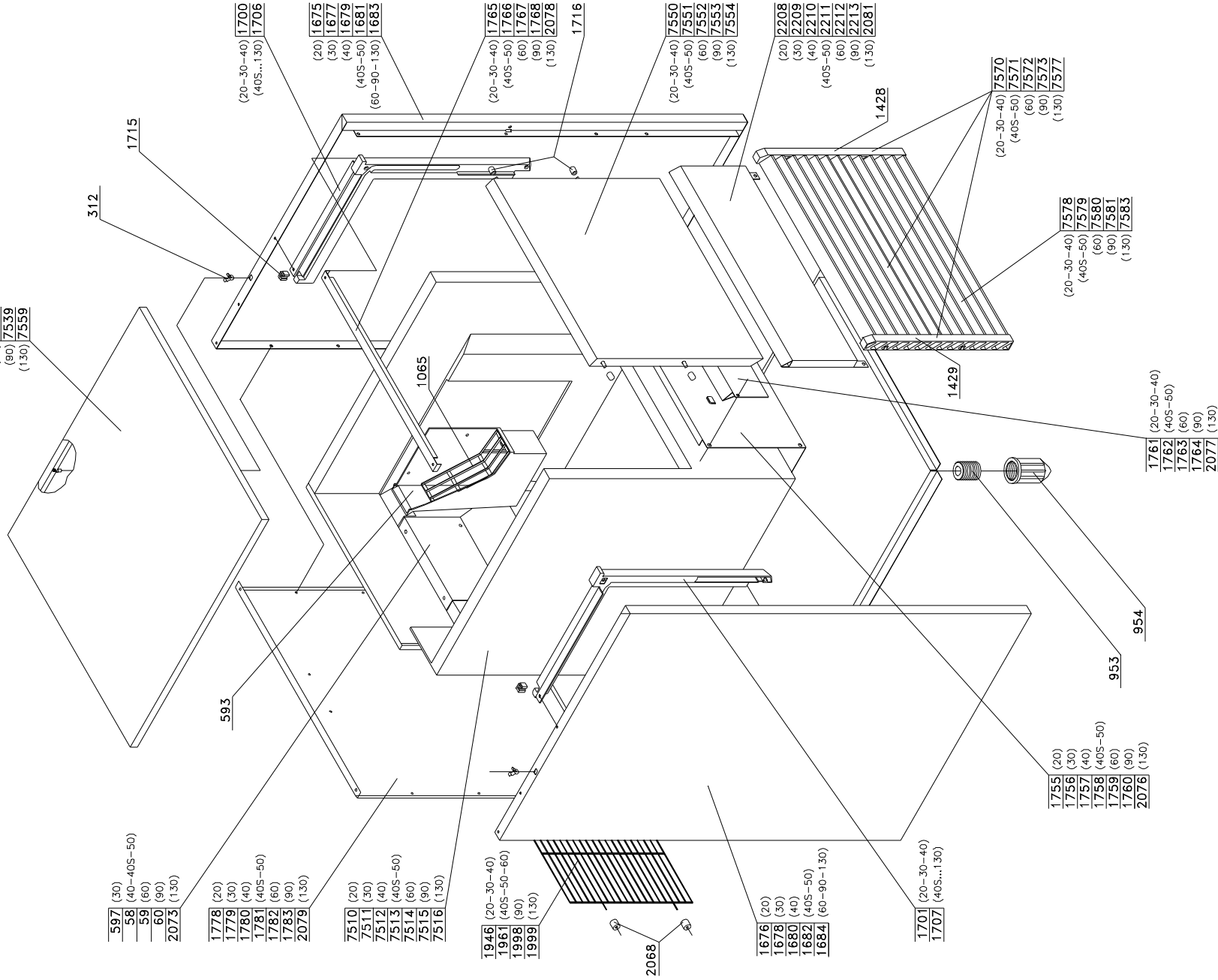
1765 (20-30-40)  
1766 (40S-50)  
1767 (60)  
1768 (90)  
2078 (130)

1716

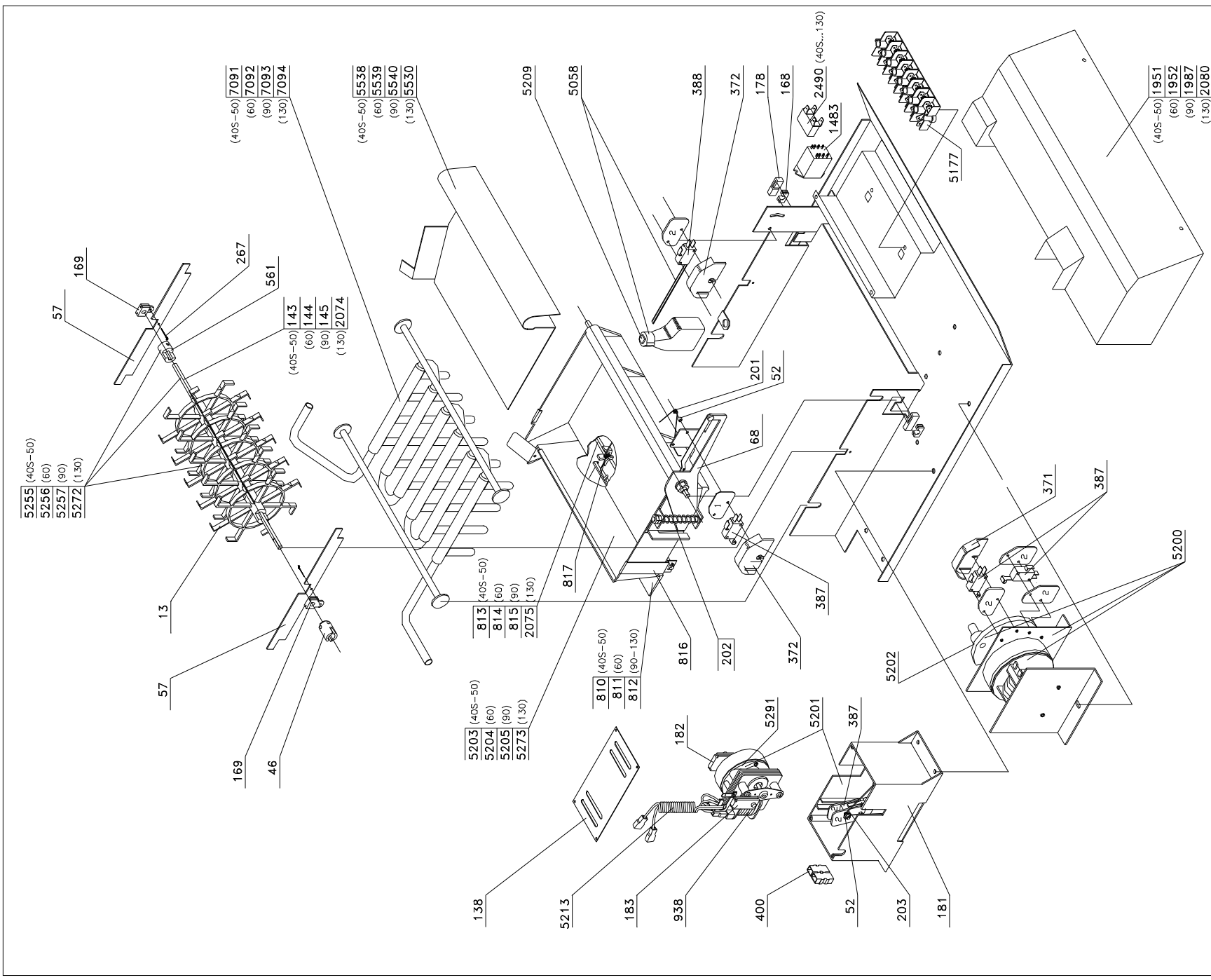
7550 (20-30-40)  
7551 (40S-50)  
7552 (60)  
7553 (90)  
7554 (130)

2208 (20)  
2209 (30)  
2210 (40)  
2211 (40S-50)  
2212 (60)  
2213 (90)  
2081 (130)

7570 (20-30-40)  
7571 (40S-50)  
7572 (60)  
7573 (90)  
7577 (130)



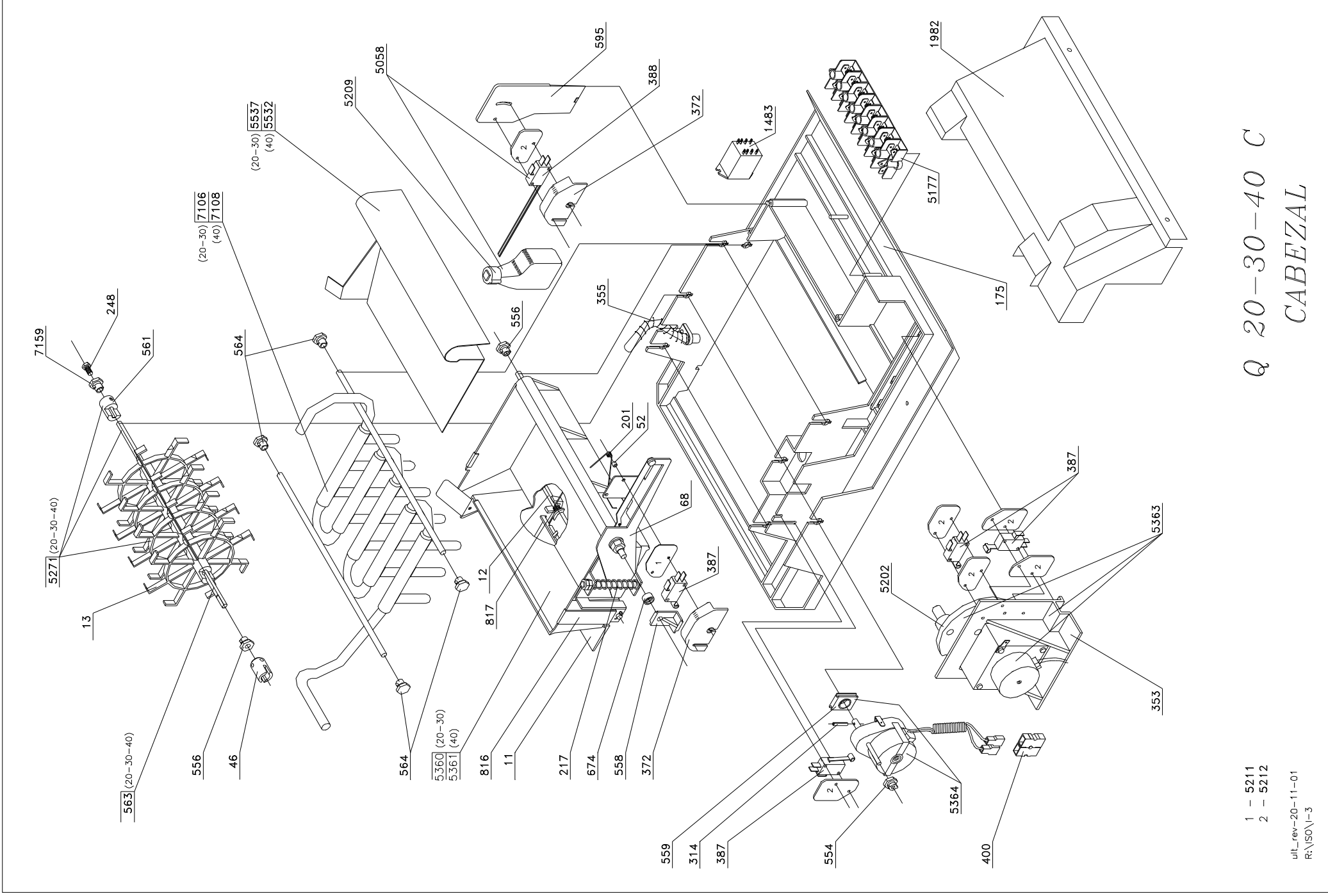
Q 20-30-40-  
 -40S-50-60-90-130 C  
 CARROCERIA



1 - 5211  
2 - 5212

uiL\_rev-20-11-01  
R\ISO\I-4

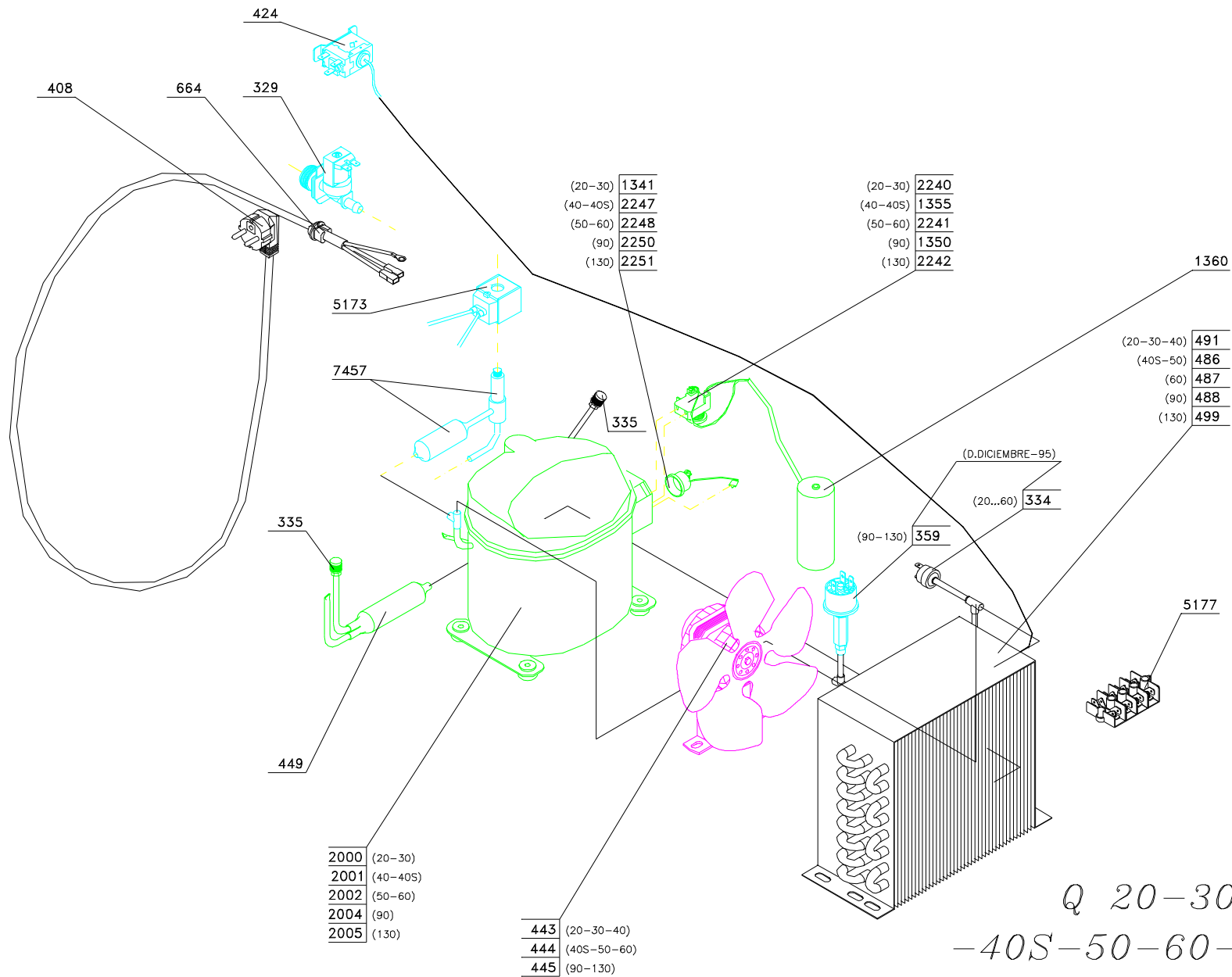
Q 40S-50-60-90-130 C  
CABEZAL



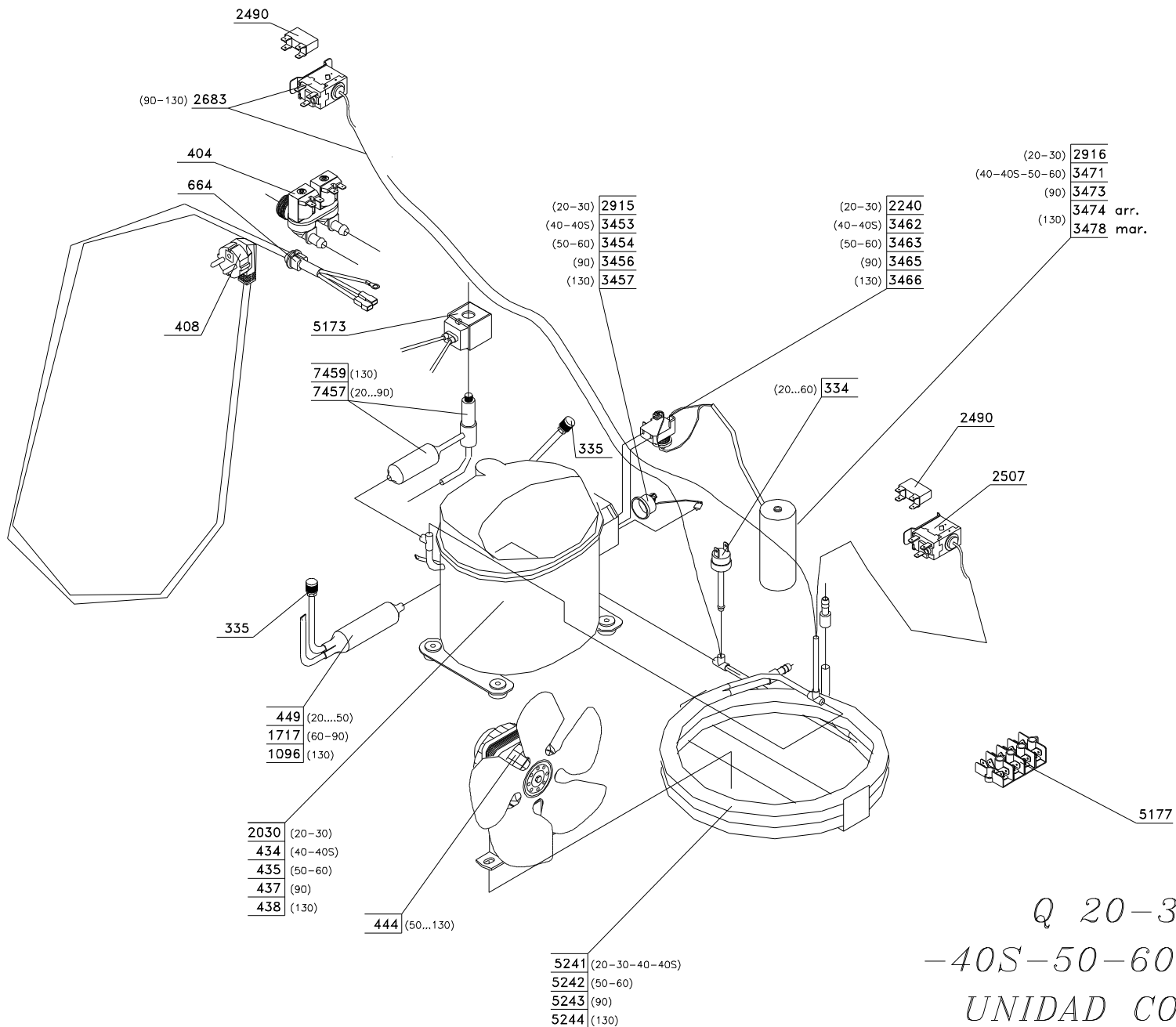
Q 20-30-40 C  
CABEZAL

1 - 5211  
2 - 5212

ult\_rev-20-11-01  
R:\50\1-5



Q 20-30-40-  
 -40S-50-60-90-130 C  
 UNIDAD COND.AIRE

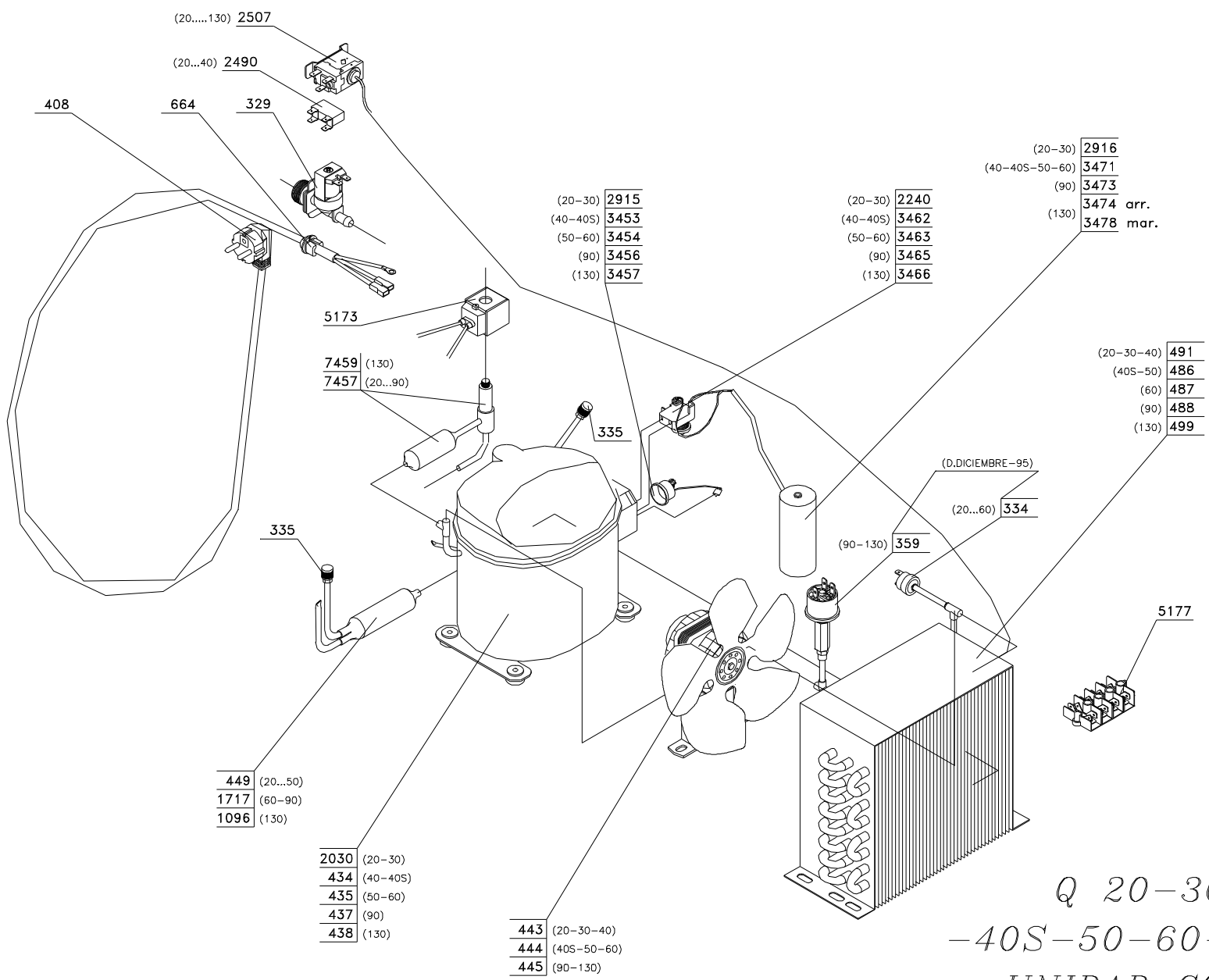


R-404

10/03/04  
R:\ISO\I-8

Q 20-30-40-  
-40S-50-60-90-130 C  
UNIDAD COND. AGUA

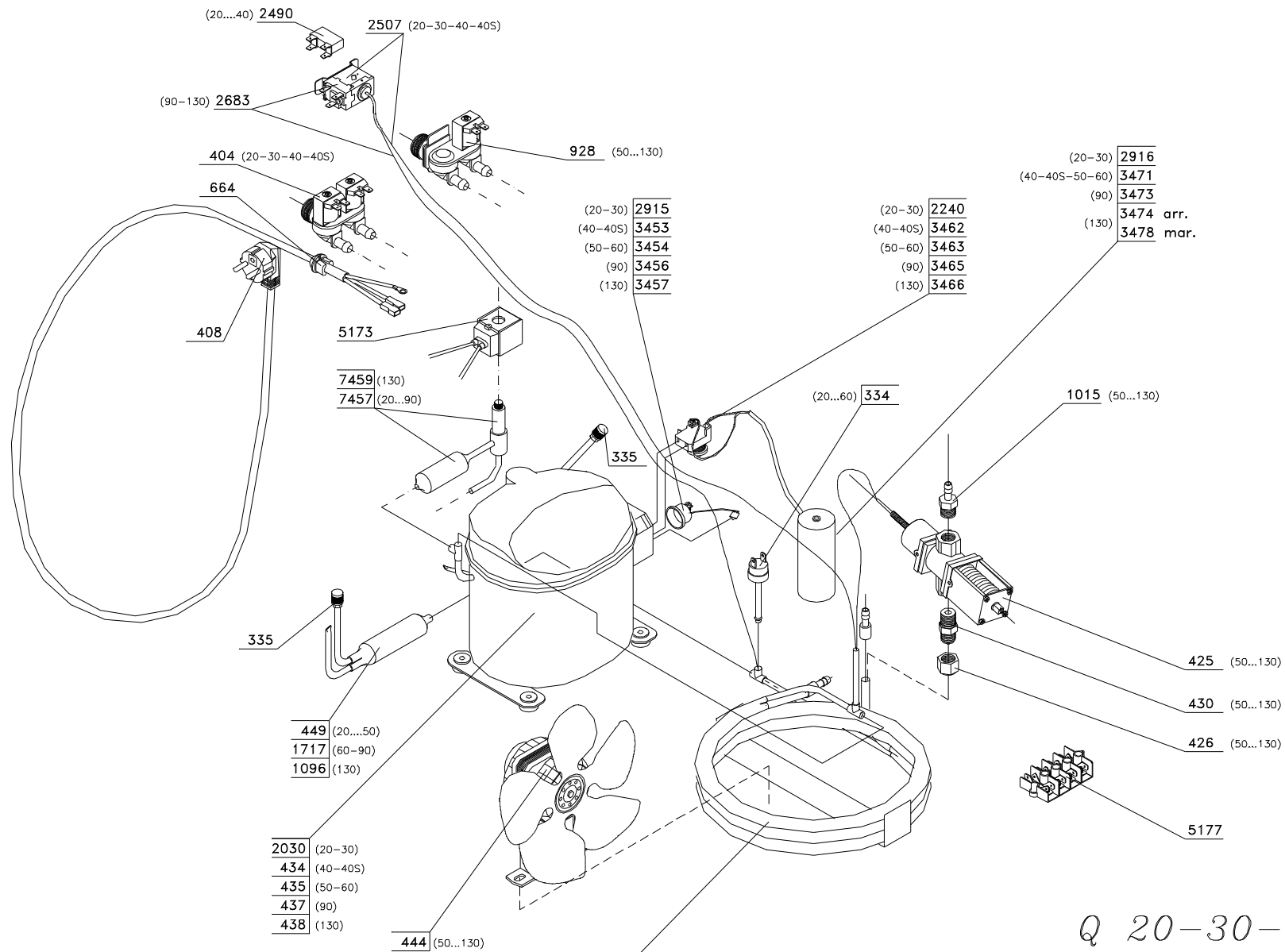
5241 (20-30-40-40S)  
5242 (50-60)  
5243 (90)  
5244 (130)



R-404

ult\_rev-12-03-04  
R:\ISO\I-7

Q 20-30-40-  
-40S-50-60-90-130 C  
UNIDAD COND.AIRE



R-404

10/03/04  
R:\ISO\I-8

2030 (20-30)  
434 (40-40S)  
435 (50-60)  
437 (90)  
438 (130)

444 (50...130)

5241 (20-30-40-40S)  
5242 (50-60)  
5243 (90)  
5244 (130)

Q 20-30-40-  
-40S-50-60-90-130 C  
UNIDAD COND. AGUA

(20...40) 2490  
2507 (20-30-40-40S)  
(90-130) 2683

404 (20-30-40-40S) 928 (50...130)

664  
(20-30) 2915  
(40-40S) 3453  
(50-60) 3454  
(90) 3456  
(130) 3457

(20-30) 2240  
(40-40S) 3462  
(50-60) 3463  
(90) 3465  
(130) 3466

(20-30) 2916  
(40-40S-50-60) 3471  
(90) 3473  
(130) 3474 arr.  
3478 mar.

408  
5173  
7459 (130)  
7457 (20...90)

(20...60) 334 1015 (50...130)

335  
449 (20...50)  
1717 (60-90)  
1096 (130)

425 (50...130)

430 (50...130)

426 (50...130)

5177

*Quasar*

fases de funcionamiento  
working stages  
phases de fonctionnement  
arbeitsspiel

